



SHAMPOO BOWL INSTALLATION INSTRUCTIONS

Model No. 100, 200, and 2000 MARBLE BOWLS



DIAL-FLO FIXTURE

FOR INSTALLATION OF 500 FAUCET ONLY, FOLLOW STEPS. THEN INSTALL HOLE PLUG COVER THROUGH OPERATOR AS SHOWN. A TIGHT SPRAY HOSE DIRECT TO WATER SUPPLY OUTLET ON FIXTURE. MAKE CERTAIN THAT WATER SUPPLY OUTLET ON FIXTURE IS FACING FRONT OF BOWL.

(STANDARD COMPONENTS FOR ALL MARBLE BOWLS)

MOUNTING PLATE IS THE SAME FOR MODEL 100, 200, 2000 AND 2003 BOWLS.

First, Fasten Mounting Plate To Wall. Place Bowl On Plate, Align The Thread Anchors Over Slots in Mounting Plate And Screw in Fastening Bolt Hand Tight. Make Final Adjustment With Leveling Bolt and Tighten Fastening Bolts Firmly.

500 DIAL-FLO with 400 DIVERTER SPOUT

SUGGESTED PROCEDURE FOR INSTALLATION IS TO SECURE 500 DIAL-FLO FAUCET AND 400 DIVERTER SPOUT TO BOWL PRIOR TO MOUNTING.

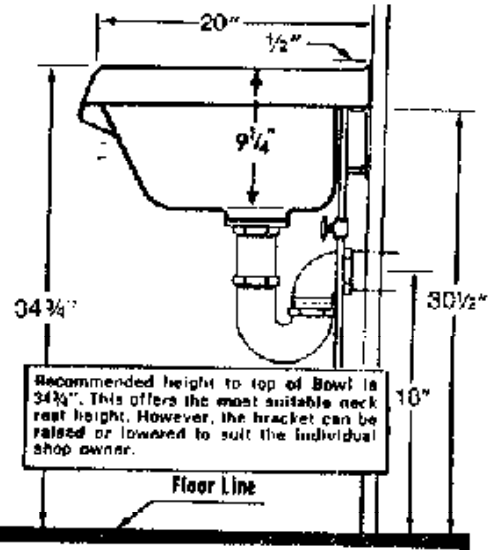
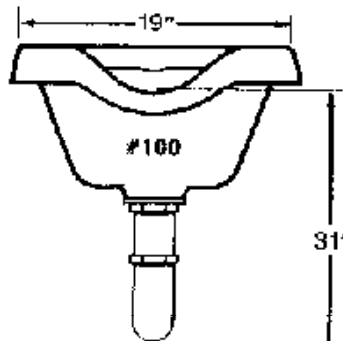
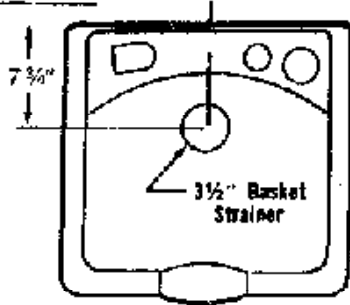
1. INSERT FIXTURE WITH RUBBER GASKET THROUGH TOP OF BOWL.
2. REPEAT ABOVE PROCEDURES FOR INSTALLATION OF 400 DIVERTER SPOUT.

NOTE: MAKE SURE THAT WATER SUPPLY CUT-OFF IS FACING TO FRONT OF BOWL.

1. A TIGHT 10' CONNECTING HOSE TO LONG NIPPLE ON DIVERTER AND TO THE WATER SUPPLY OUTLET ON FIXTURE.

2. THREAD SPRAY HOSE THROUGH RECEIVER CAP AND ATTACH TO SHORT NIPPLE ON DIVERTER SPOUT.

MODEL 100

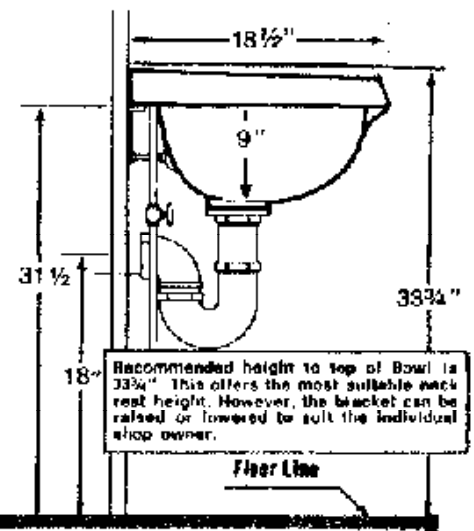
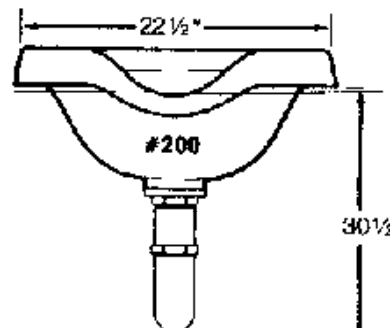
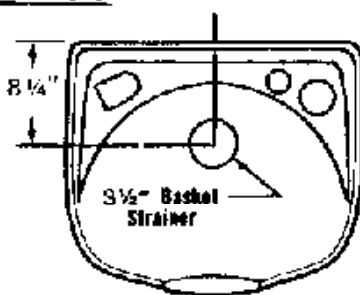


IMPORTANT:

When bowls are to be installed in wet booth units, height of bowl should be adjusted to allow lid to clear bowl and fixtures when lowered.

Suggested neck heights for BARBER BOWLS is between 31 and 35". The exact height however, will be determined entirely by the type of installation.

MODEL 200



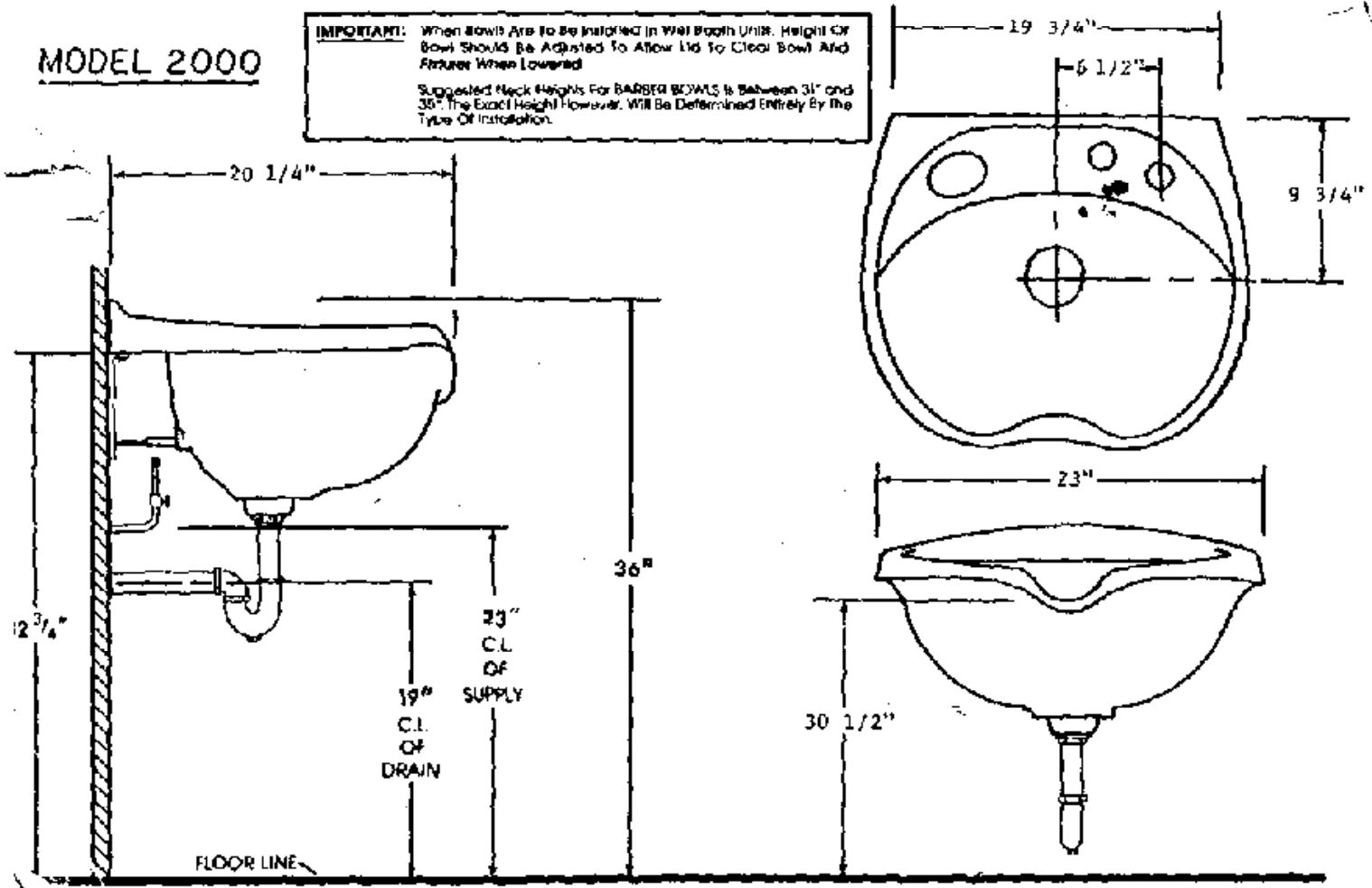
MARBLE PRODUCTS

A DIVISION OF KOKEN MFG. CO., INC.



MODEL 2000

IMPORTANT: When bowls are to be installed in Wet Room Units, Height of Bowl Should Be Adjusted to Allow Lid to Clear Bowl and Fixture When Lowered.
Suggested Neck Heights For BARBED BOWLS is Between 31" and 35". The Exact Height However, Will Be Determined Entirely By the Type Of Installation.



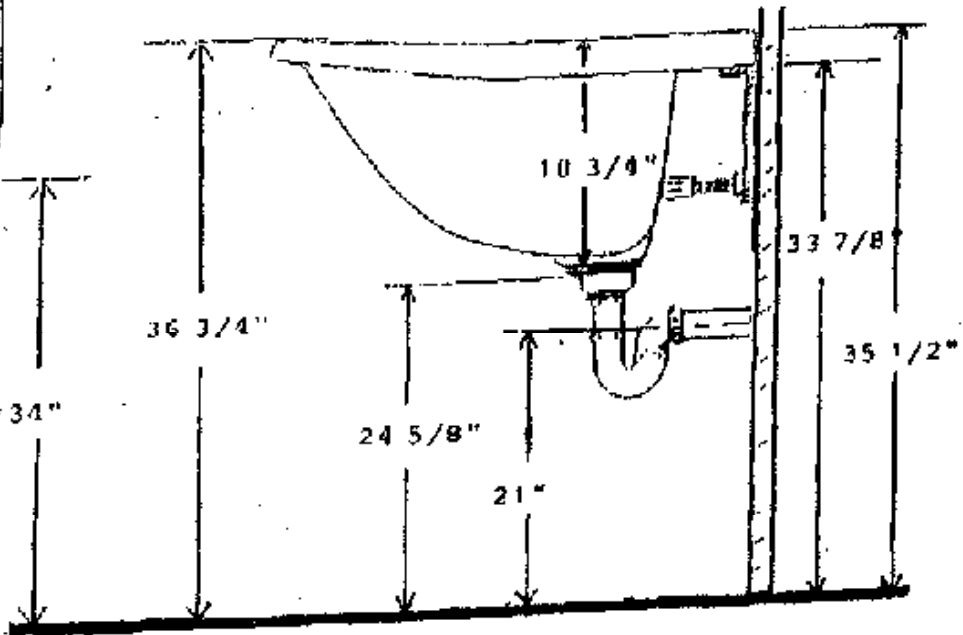
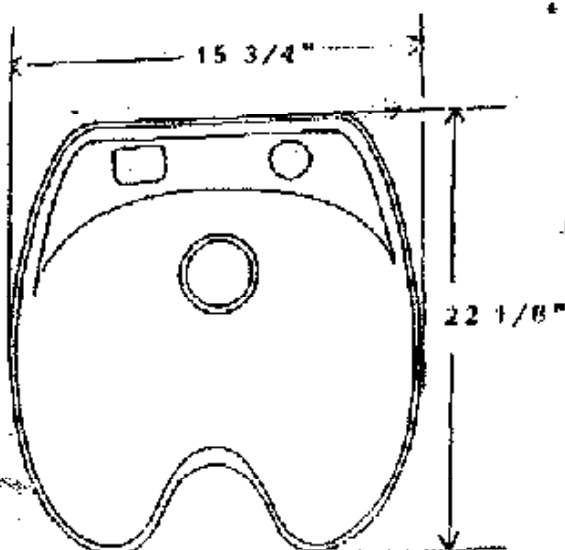
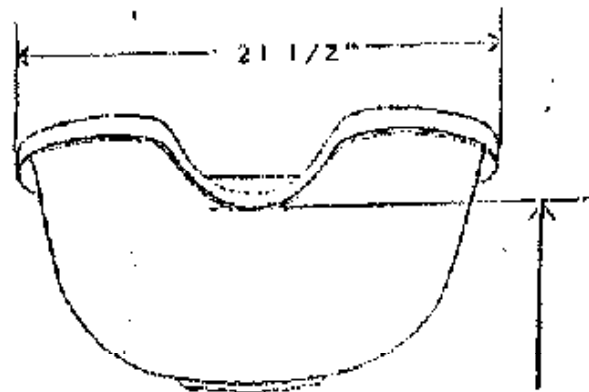
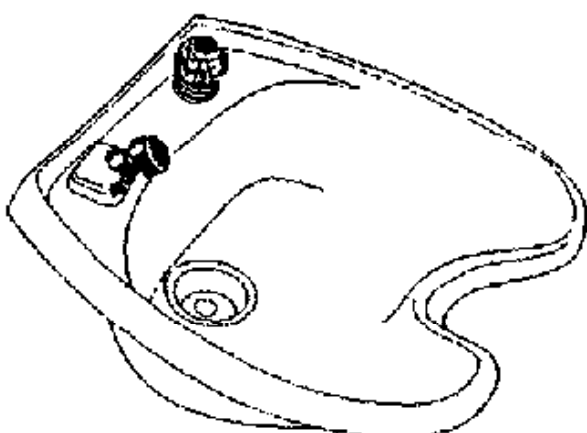
SHAMPOO BOWL INSTALLATION INSTRUCTIONS

MODEL No. 4000

IMPORTANT

USE WITH ADJUSTABLE BACK
SHAMPOO CHAIRS ONLY.
(NOT SPRING LOADED)

NOT RECOMMENDED FOR USE
WITH WET STYLING STATIONS.

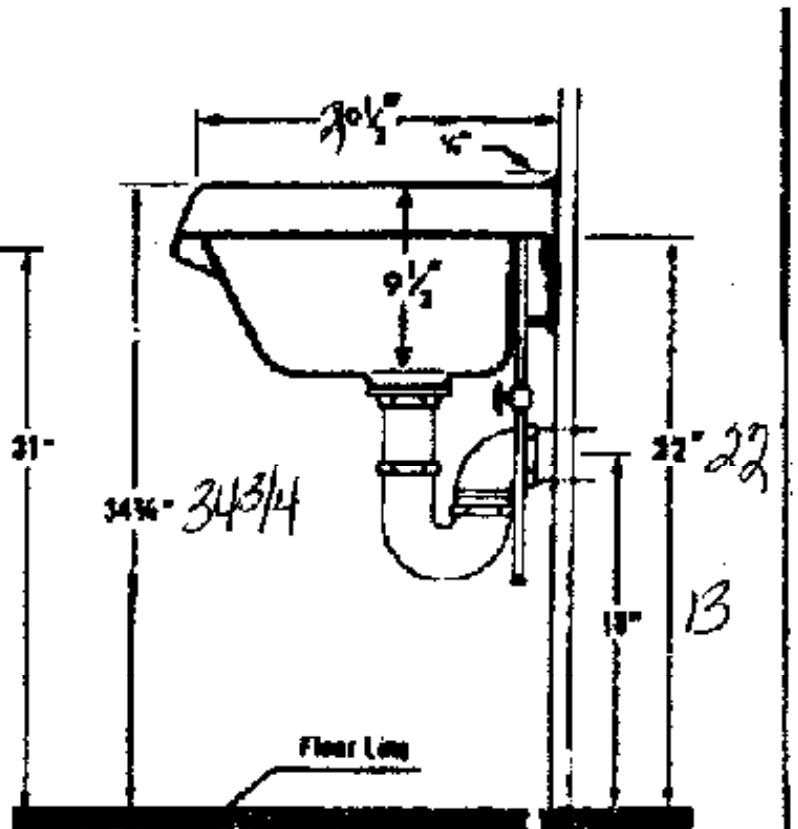
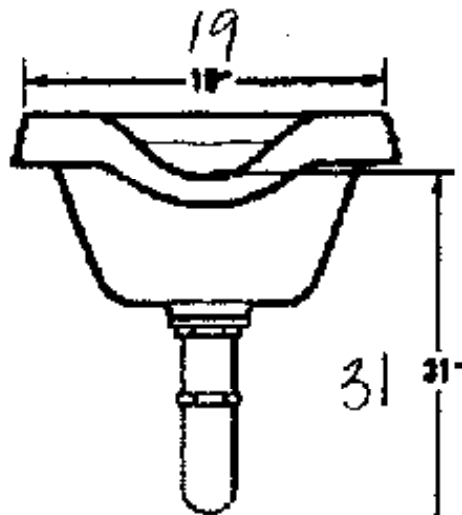
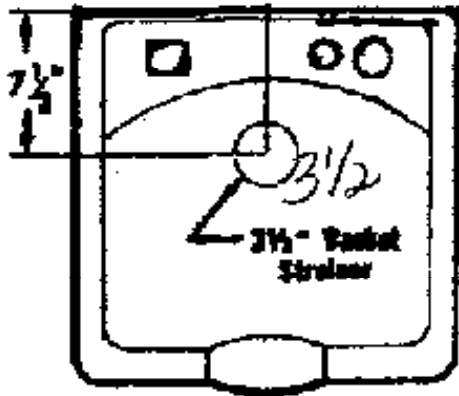


* IT IS VERY IMPORTANT THAT NECK
HEIGHT BE AT LEAST 34"



A DIVISION OF ROYER MFG. CO., INC.
1000 W. 10TH AVENUE, DENVER, CO. 80202

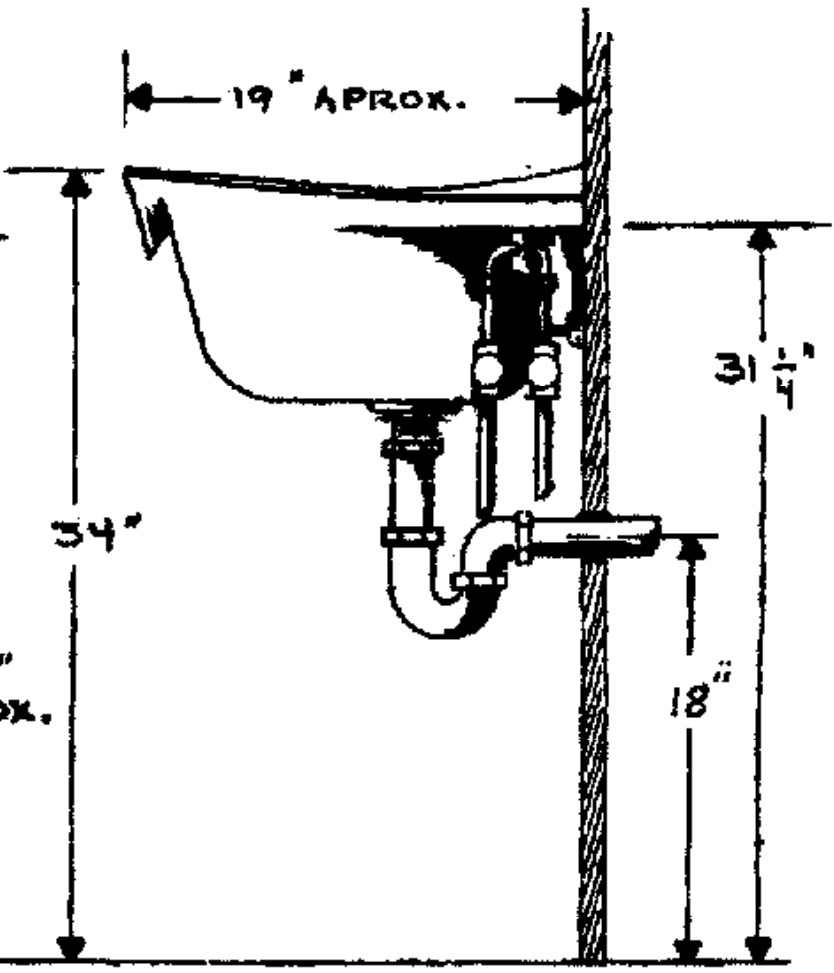
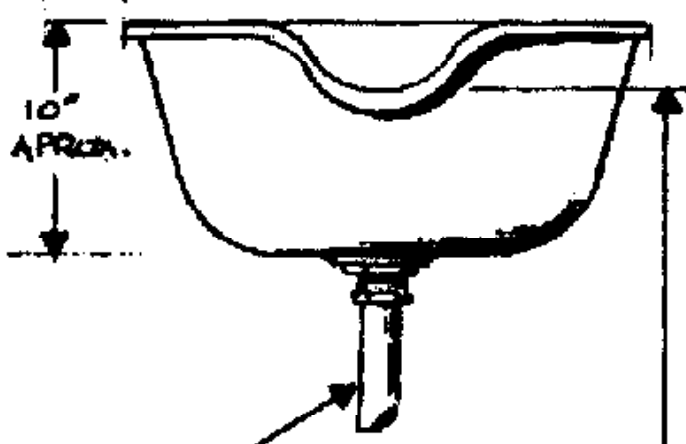
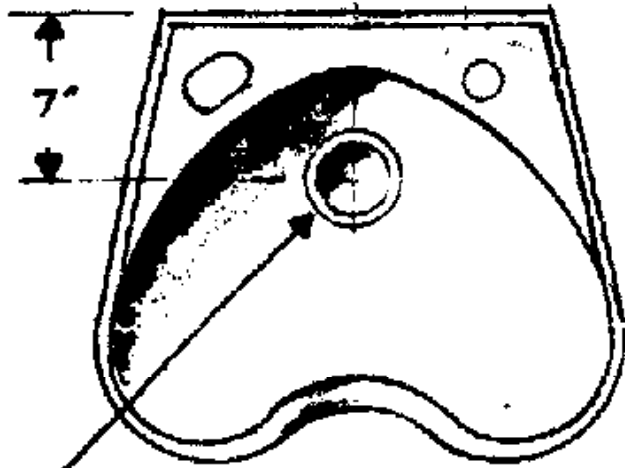
10 Bowl



INSTALLATION INSTRUCTIONS MODEL No. 30

MODEL 30

Fasten Mounting plate to wall. Place bowl lugs in slots and push down until it rests on edge of plate. Tighten all bolts securely and make final adjustment with leveling bolt.



FINISHED FLOOR LINE